

MVE-SV "screen vibrators"



EX-STOCK DELIVERY

2 YEAR WARRANTY

SIZE 75A0 & 75D0
100% INTERCHANGEABLE
TO DERRICK® SCREEN
VIBRATORS FOOTPRINTS*



NO CROSSBEAM

Designed to be installed on vibrating screens and feeders without any support crossbeam



DIRECT VIBRATION

Designed to exert its centrifugal force much closer to the screen walls than traditional foot mounted electric vibrators fitted on a support crossbeam



ADJUSTABLE CF

Available with both adjustable or fixed masses

* Derrick® is a registered trademark of Derrick Corporation, Buffalo, New York. There is no affiliation between Derrick Corporation and OLI Vibrator.



VIBRATORS FOR QUARRY & MINING, OIL & GAS





SV - RANGE OVERVIEW

Unbalance (inlb)		Model For U.S. Market	Poles	Centrifugal Force (lb)		rpm		Weight (lb)		ELECTRICAL SPECIFICATIONS						
50Hz	60Hz			50Hz	60Hz	50Hz	60Hz	50Hz	60Hz	Input Power (Hp)		Nominal Current A max. (Y)		Ia / In (Ampere)		Cable Gland
50Hz	60Hz	60Hz	n°	50Hz	60Hz	50Hz	60Hz	50Hz	60Hz	50Hz	60Hz	50Hz (400V)	60Hz (460V)	50Hz	60Hz	
121	84	MVE 7700/4N-SV-75A0	4	7,716	7,721	1,500	1,800	396.8	374.8	2.9	3.5	4.3	4.3	6.5	6.5	3/4" NPT 110°C
121	84	MVE 7700/4N-SV-75D0	4	7,716	7,721	1,500	1,800	396.8	374.8	2.9	3.5	4.3	4.3	6.5	6.5	3/4" NPT 110°C
181	127	MVE 11500/4N-SV-80A0	4	11,552	11,647	1,500	1,800	465.2	440.9	3.3	4.0	5.5	5.2	7.1	7.0	3/4" NPT 110°C
269	188	MVE 17100/4N-SV-85A0	4	17,174	17,308	1,500	1,800	/	/	4.3	5.1	6.3	6.3	7.1	7.0	3/4" NPT 110°C
269	188	MVE 17100/4N-SV-85A1	4	17,174	17,308	1,500	1,800	/	/	4.3	5.1	6.3	6.3	7.1	7.0	3/4" NPT 110°C

NOTE: All MVE-SV are available also in explosion proof version.
 Model code: indicated "15D" in place of "15N" on above codes.
 Example: MVE 3500/15N-SV-75A0 → MVE 3500/15D-SV-75A0



FEATURES

The SV electric motovibrator works like any other foot mounted electric model, providing vibrations to the vibrating machine on which it is installed. Two parallel SV are needed to provide **linear motion** to the vibrating machine while just one is necessary to provide **circular motion**.

The **SV do not need any crossbeam to be installed** because the body works as a crossbeam itself.

The SV size 75A0 and 75D0 are designed to retrofit existing vibrating machines using motorvibrator made by **Derrick® Screen Vibrators**. Thanks to its versatility, the SV range can also be used in many other applications:

QUARRY & MINING

- Wet and dry solids separation (eg "Stack Sizer" by Derrick®)
- Screening (eg "High speed screens" by Derrick®)

OIL & GAS

- Drilling fluids recovery systems (eg "Hyperpool" shale shakers by Derrick®)

ADVANTAGES OF SV RANGE

- OLI SV size 75A0 and 75D0 match both the Derrick®'s long vibrator footprints
- First class bearings
- Long bearing life
- Easy mass adjustment positions
- Greased for life, 100% maintenance free

APPLICATION ADVANTAGES

- The centrifugal force is provided directly on the screen walls, improving screening efficiency and screening mesh life span
- In OLI SV it is possible to adjust the centrifugal force using pre-drilled holes on the adjustable mass
- SV comes with a standard factory preset star connection for high voltage inside the terminal box
- OLI SV can also be operated at low voltage by simply changing the position of the connection plates inside the terminal box, switching from Star to Delta connection.
- SV can be supplied on request with multiple voltages suitable to be used in various countries all over the world



MVE-SV SCREEN VIBRATOR

APPLICATION	Vibrating screens, shale shakers, feeders/conveyors and dewatering screens for quarry, mining, recycling and other sectors
PROBLEM SOLVING	SV acts as a structural part of the machine: it eliminates the crossbeam usually needed to support standard vibrating motors. The centrifugal force is applied directly on the screen walls avoiding energy dissipation

FEATURES

INPUT VOLTAGE	220-240/380-415V, 290-300/500-525V (50Hz); 330/575V, 220-277/380-480V, 230/460V (60Hz)
AMBIENT TEMPERATURE	-20 °C / +40 °C as standard, -20 °C / +55 °C on request
ENCLOSURE PROTECTION	IP 66
THERMAL PROTECTION	Thermistor PTC 130 °C included
INSULATION CLASS	F

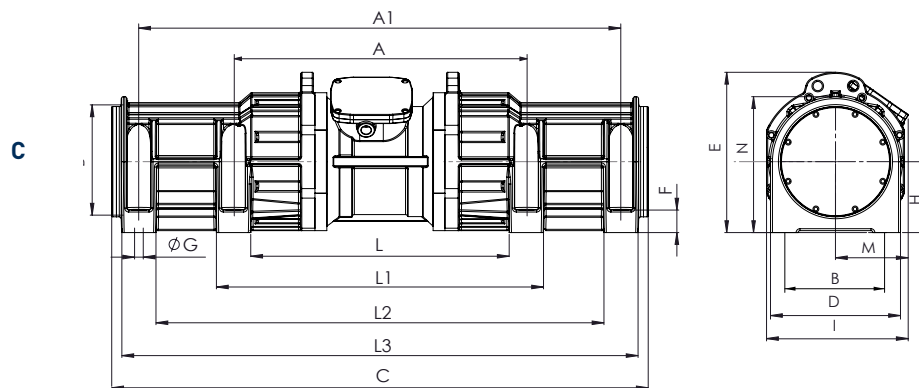
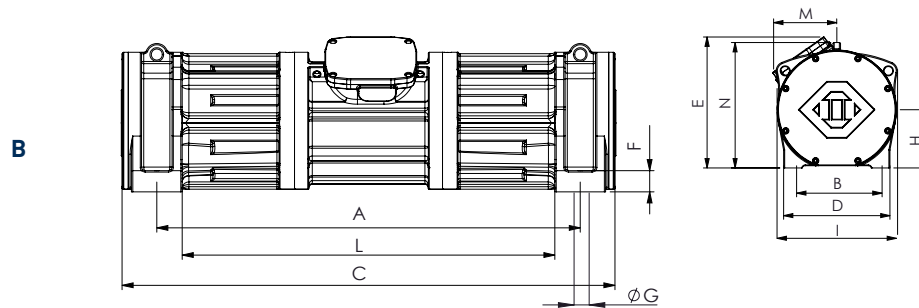
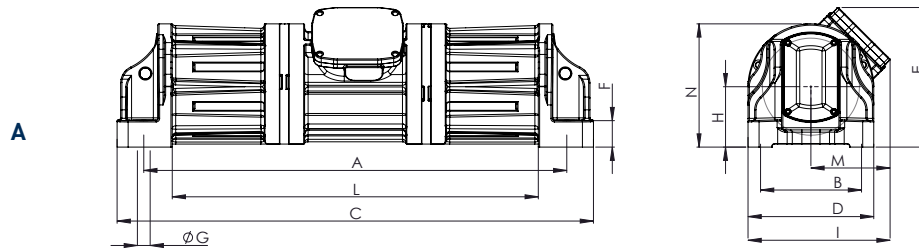
OPTIONS

2 and 6 poles available on request

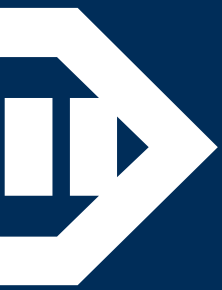


DIMENSIONAL SPECIFICATIONS (inches)

Drawing	Size	Holes	C	M	A	A1	B	ØG	D	E	F	H	I	L	L1	L2	L3	N	Screw
A	75A0	4	42.52	7.07	37.76	-	9.02	1.14	11.22	12.46	2.36	5.39	12.68	32.68	-	-	-	11.00	1"
A	75D0	4	42.52	7.07	37.76	-	9.50	0.79	11.22	12.46	2.36	5.39	12.68	32.68	-	-	-	11.00	5/8"
B	80A0	4	43.94	6.69	37.76	-	9.02	1.14	11.22	13.82	1.89	6.14	13.11	33.23	-	-	-	12.44	1"
C	85A0	8	53.62	7.28	31.49	48.19	11.02	0.87	12.99	16.02	2.24	7.09	14.17	25.83	32.72	44.76	51.61	13.58	7/8"
C	85A1	8	53.62	7.28	31.49	48.19	11.41	0.87	12.99	16.02	2.24	7.09	14.17	25.83	32.72	44.76	51.61	13.58	7/8"



This information is furnished without warranty, representation, inducement or license of any kind. It is accurate to the best O.L.I. knowledge or is obtained from sources believed to be accurate. O.L.I. therefore assumes no legal responsibility.



WHEN YOU NEED IT, WHERE YOU NEED IT

THE WORLDWIDE LEADER IN VIBRATION TECHNOLOGY



OLI WORLDWIDE

OLI Australia	OLI Germany	OLI Nordic	OLI Turkey
OLI Benelux	OLI India	OLI Russia	OLI UK
OLI Brazil	OLI Italy	OLI South Africa	OLI USA
OLI China	OLI Malta	OLI Spain	
OLI France	OLI Middle East	OLI Thailand	



OLI VIBRATOR

4070 Buford Hwy, Suite # 5
Duluth GA

770-622-1494

sales@olivibrator.com

WWW.OLIVIBRA.US

OLI Headquarters

Medolla (MO) - Italy

info@olivibra.com

WWW.OLIVIBRA.COM